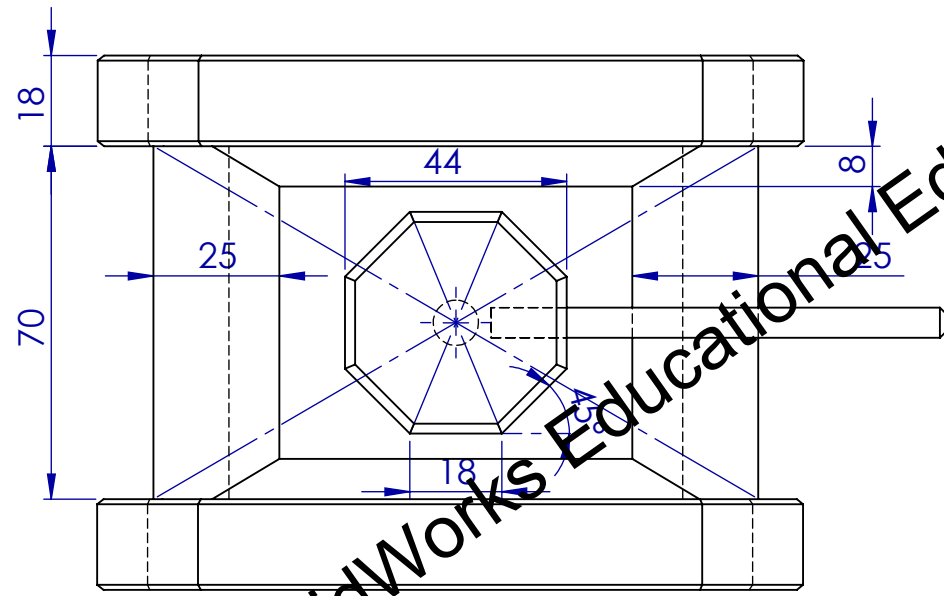
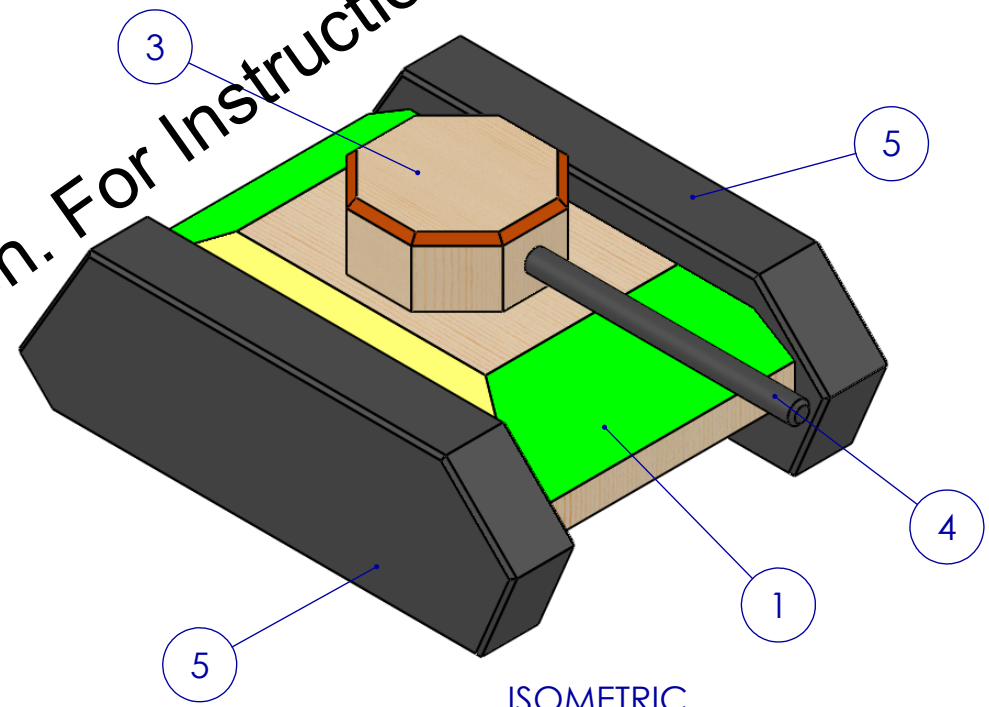


ELEVATION



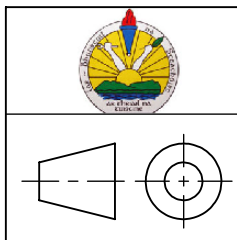
PLAN

ITEM NO.	PART NUMBER	QTY.
1	Tank Body	1
2	Dowel	1
3	Turret Post	1
4	Tank Gun	1
5	Tracks	2



ISOMETRIC

SolidWorks Educational Edition. For Instructional Use Only.



MATERIALS TECHNOLOGY (WOOD)		
TITLE: ARMY TANK PROJECT		
EXAM No:	SIZE A4	UNLESS OTHERWISE SPECIFIED ALL DIMENSIONS ARE IN mm
SCALE:	DATE:	SHEET No: