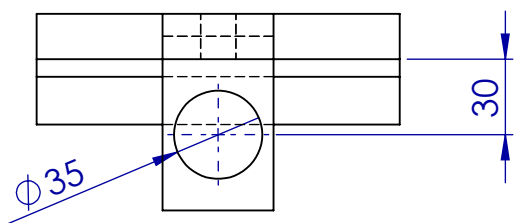
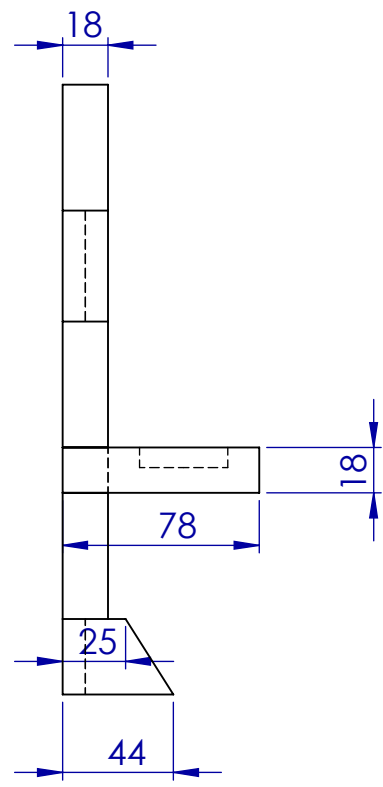


ELEVATION

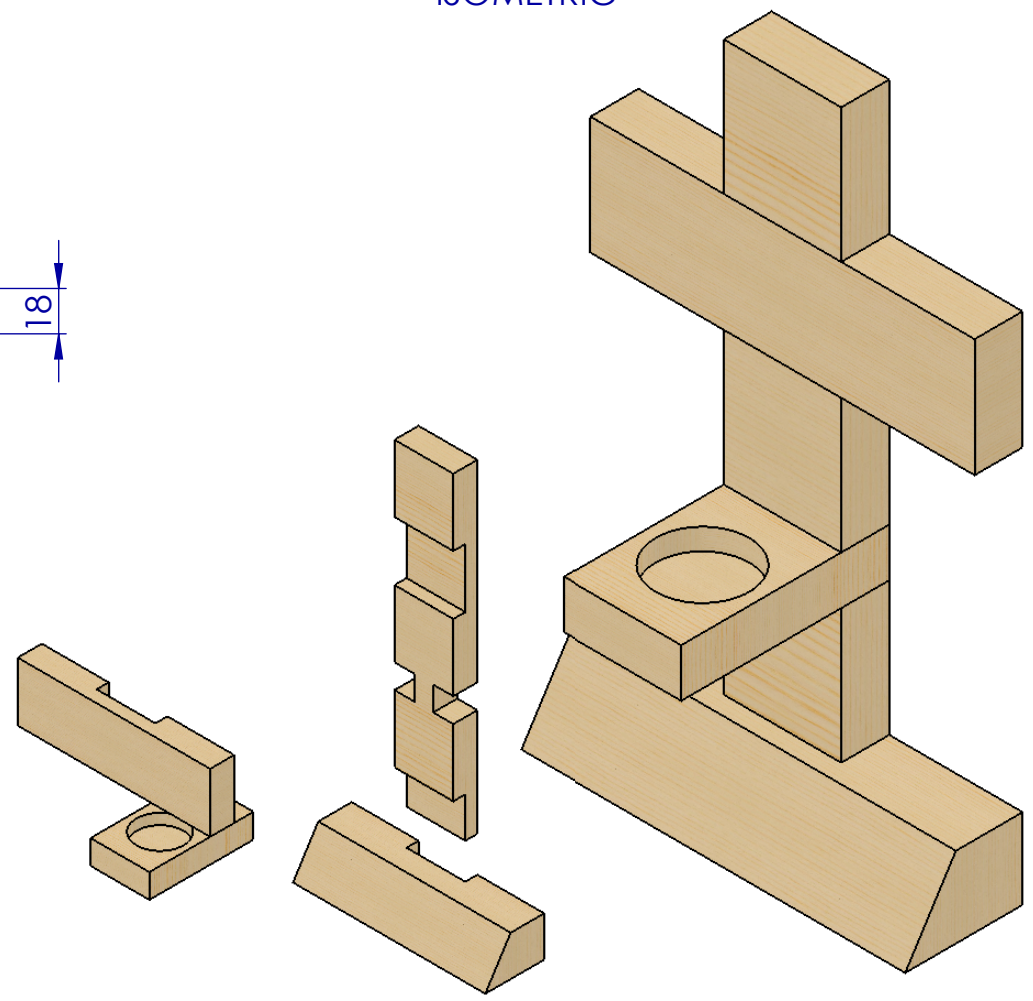


PLAN



END VIEW

ISOMETRIC



**SolidWorks Educational Edition.
For Instructional Use Only.**

MATERIALS TECHNOLOGY (WOOD)			
TITLE: CANDLE UPSTAND			
EXAM No:	SIZE A4	UNLESS OTHERWISE SPECIFIED ALL DIMENSIONS ARE IN mm	
SCALE:	DATE:	SHEET No:	