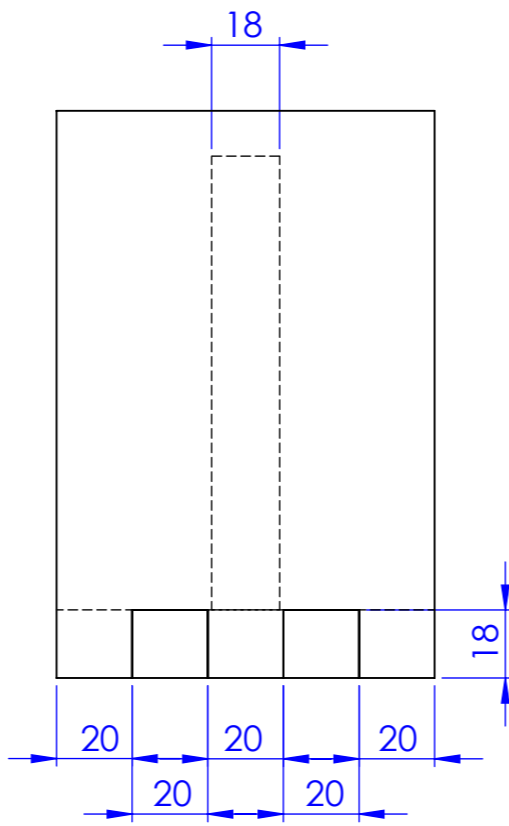
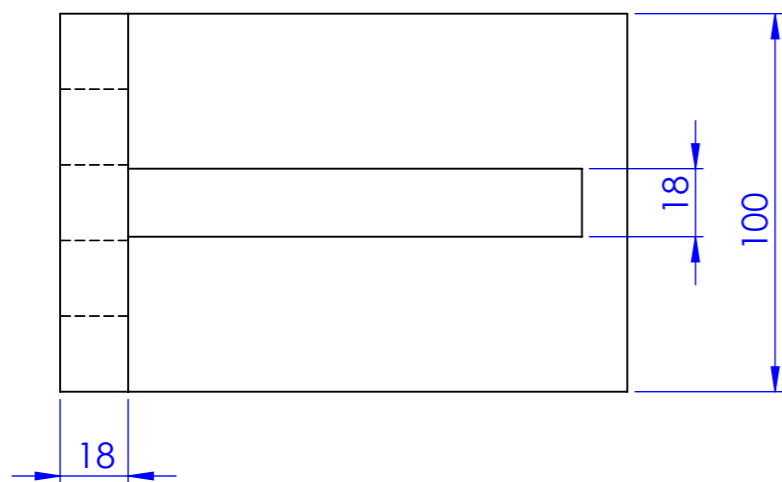


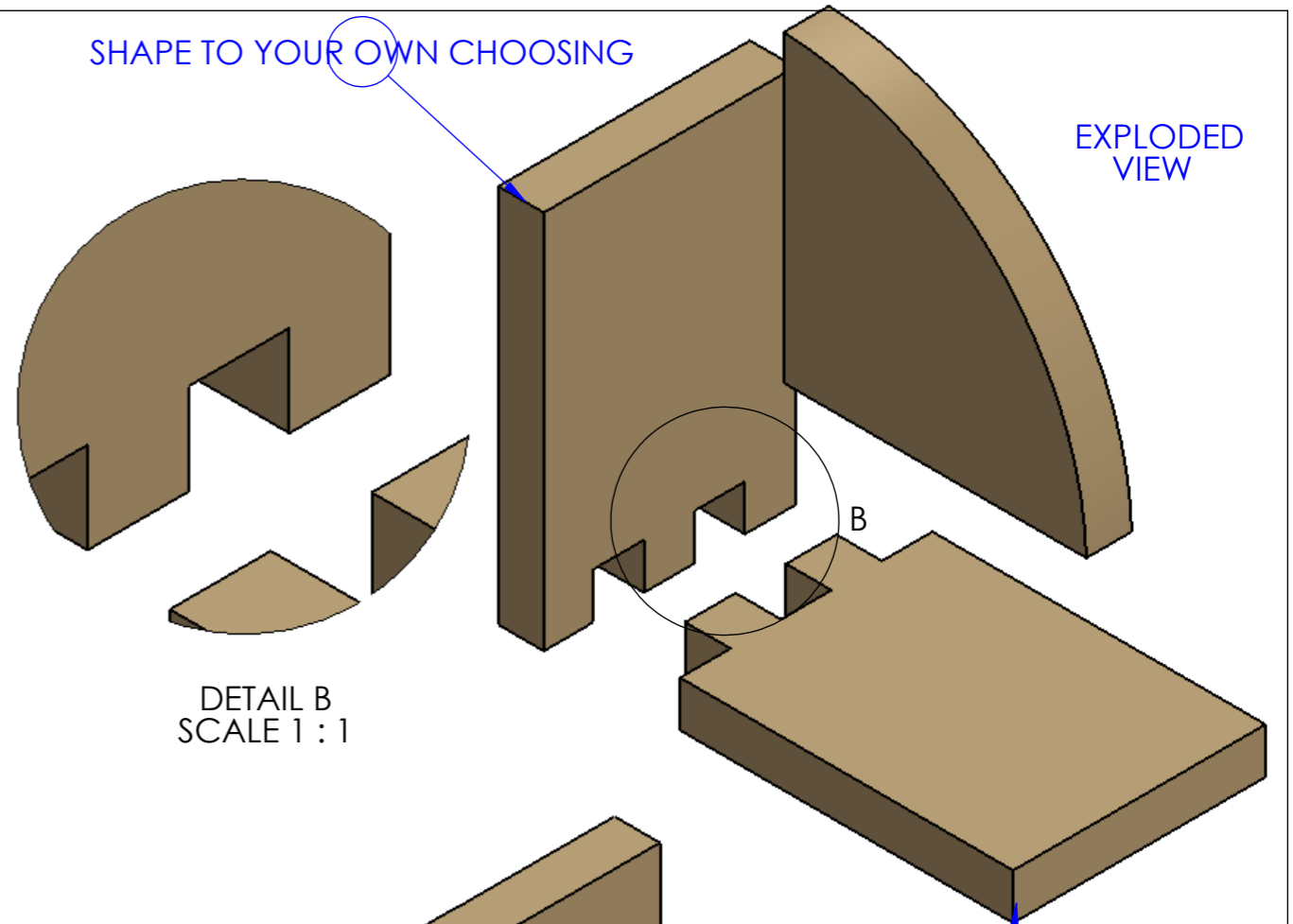
ELEVATION



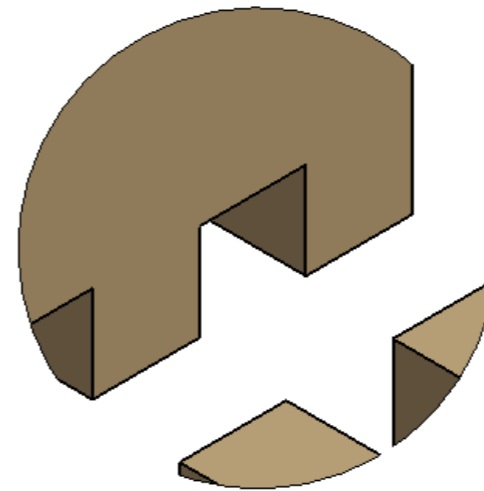
END VIEW



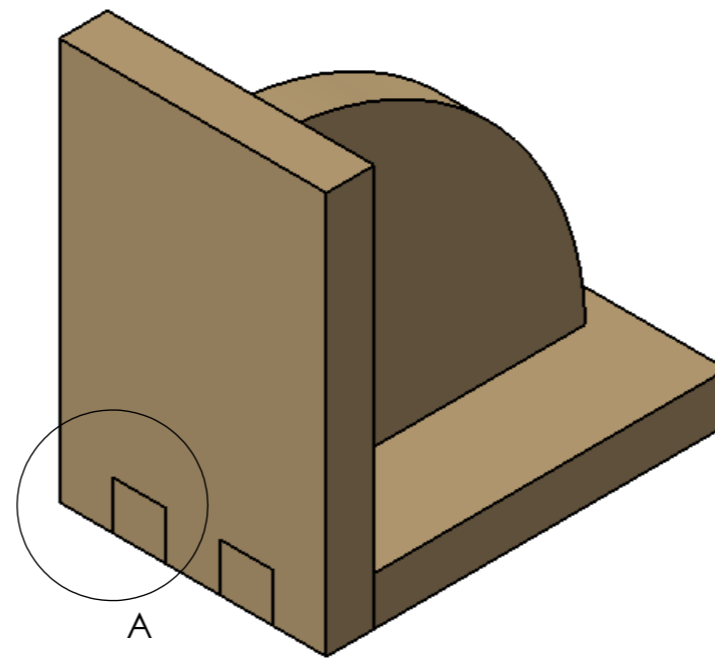
PLAN



EXPLODED VIEW

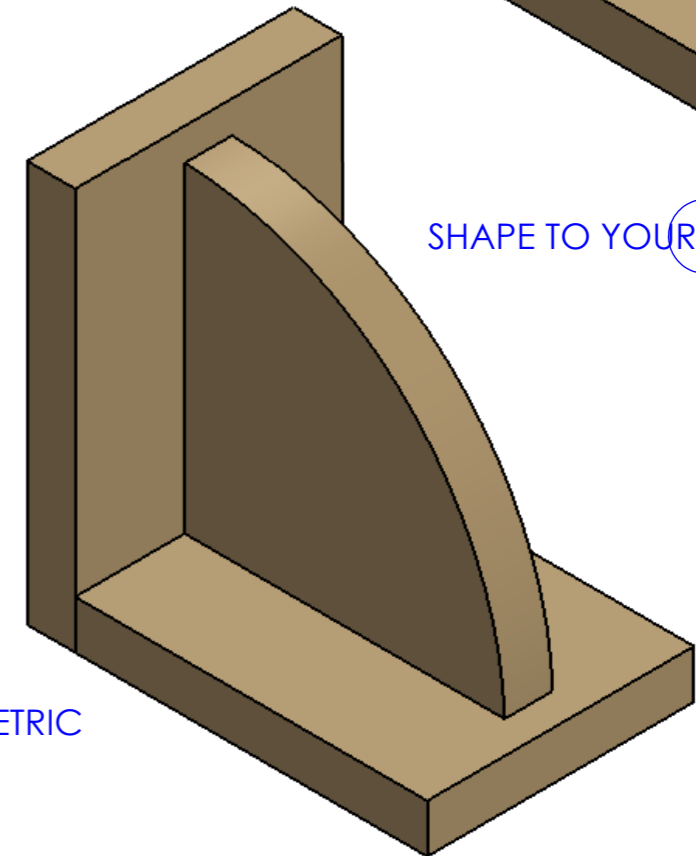


DETAIL B
SCALE 1 : 1

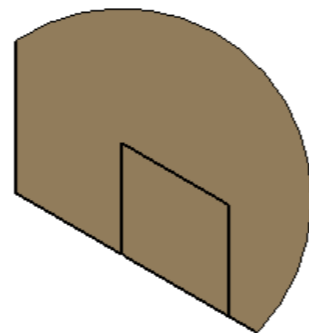


A

ISOMETRIC




SHAPE TO YOUR OWN CHOOSING



DETAIL A
SCALE 1 : 1

**SOLIDWORKS Educational Edition.
For Instructional Use Only.**

		MATERIALS TECHNOLOGY (WOOD)	
		TITLE: BOOKEND PROJECT	
EXAM NO:	SIZE A3	ALL DIMENSIONS ARE IN MM	
PART: A	OUTPUT No: 5	SHEET No: 1	

