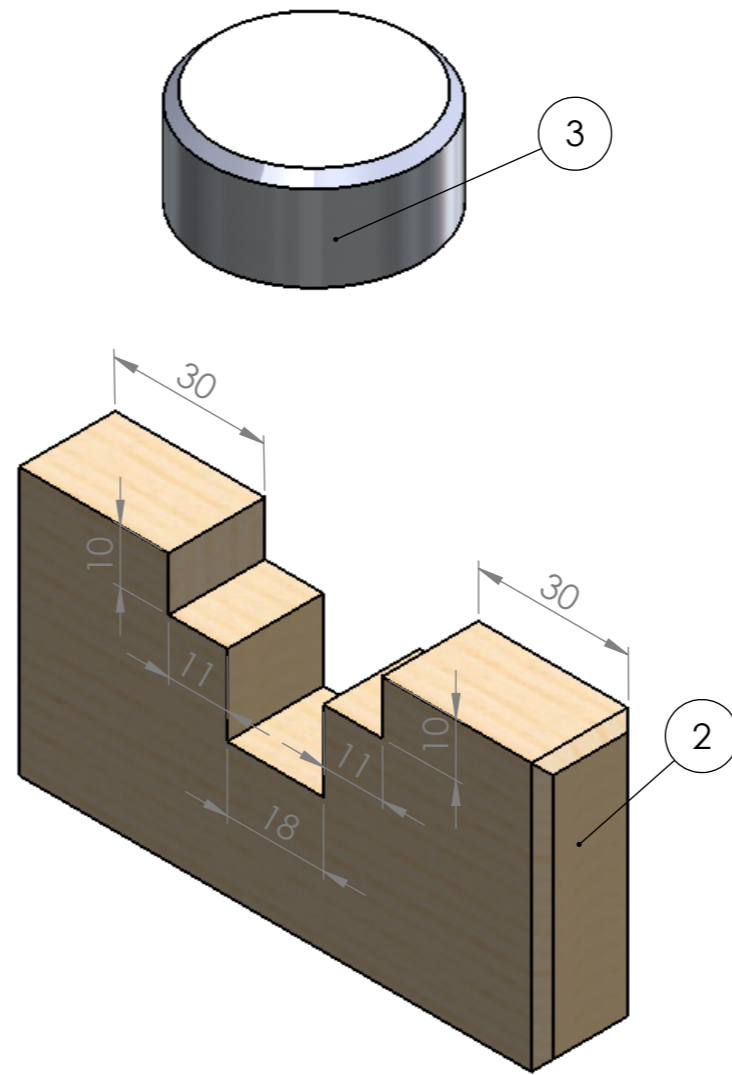
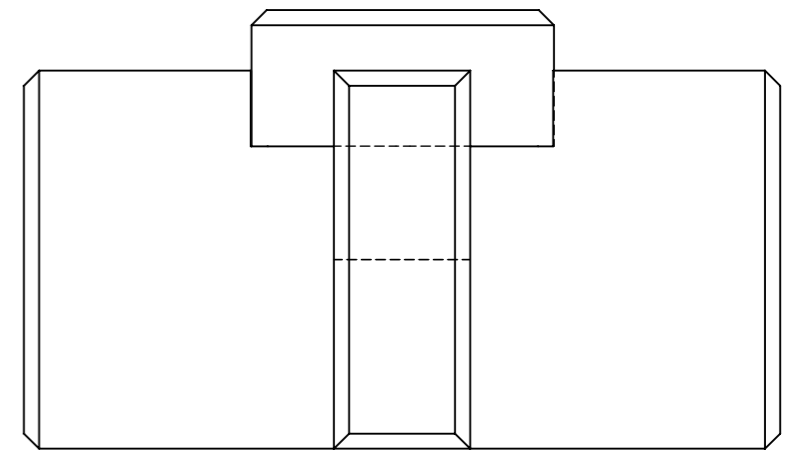


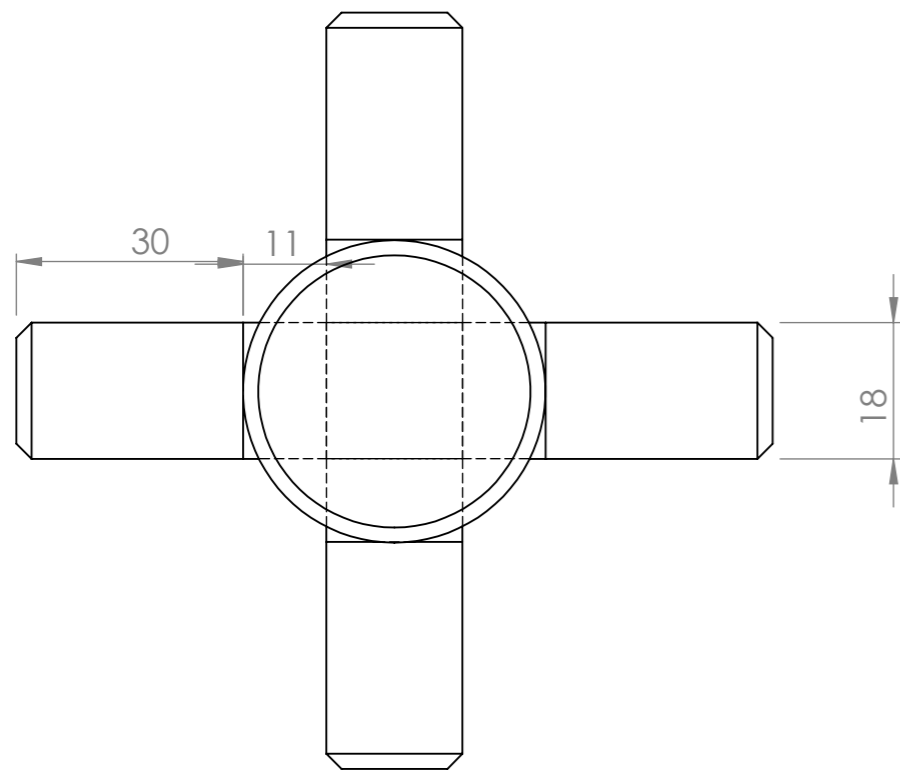
ELEVATION



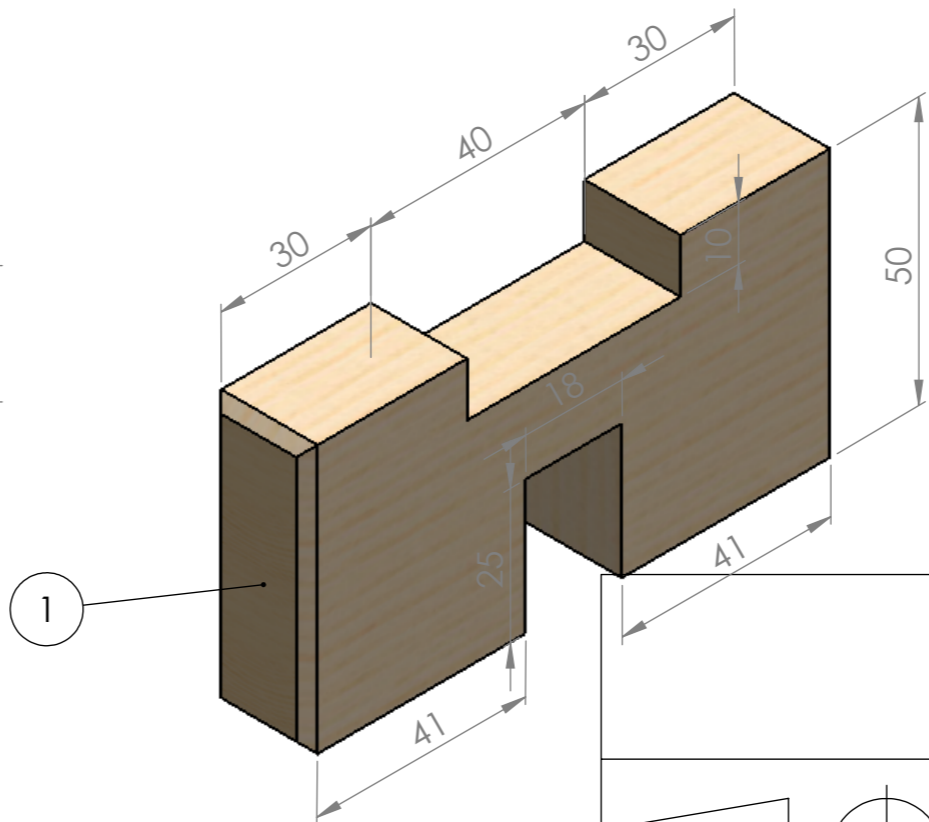
EXPLODED VIEW



ENDVIEW



PLAN



ISOMETRIC

ITEM NO.	PART NUMBER	QTY.
1	candle stand 1	1
2	candle stand 2	1
3	tea light	1

**SOLIDWORKS Educational Edition.  
For Instructional Use Only.**

**MATERIALS TECHNOLOGY (WOOD)**

TITLE: **CANDLE STAND**

EXAM NO: \_\_\_\_\_ SIZE A3 ALL DIMENSIONS ARE IN MM

PART: A OUTPUT No: 5 SHEET No: 1

