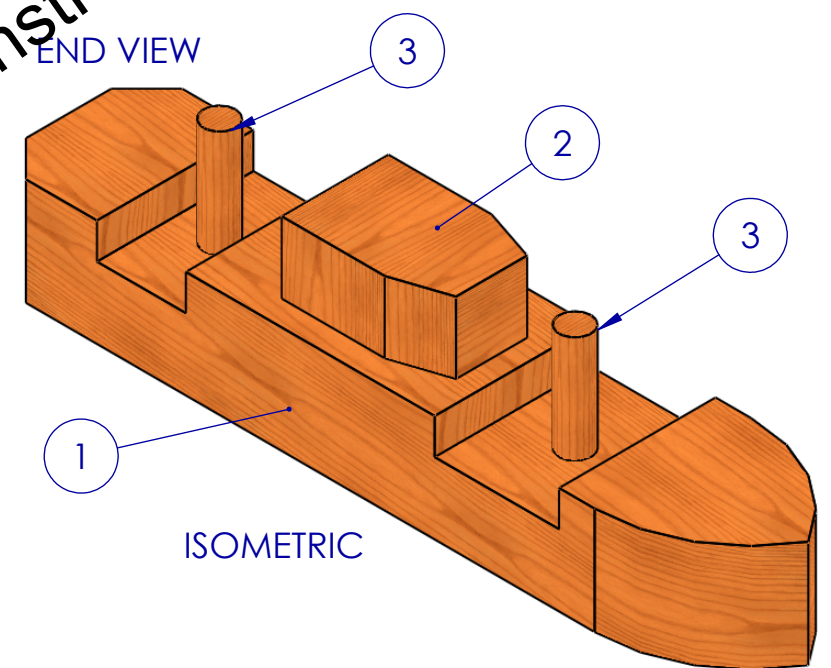
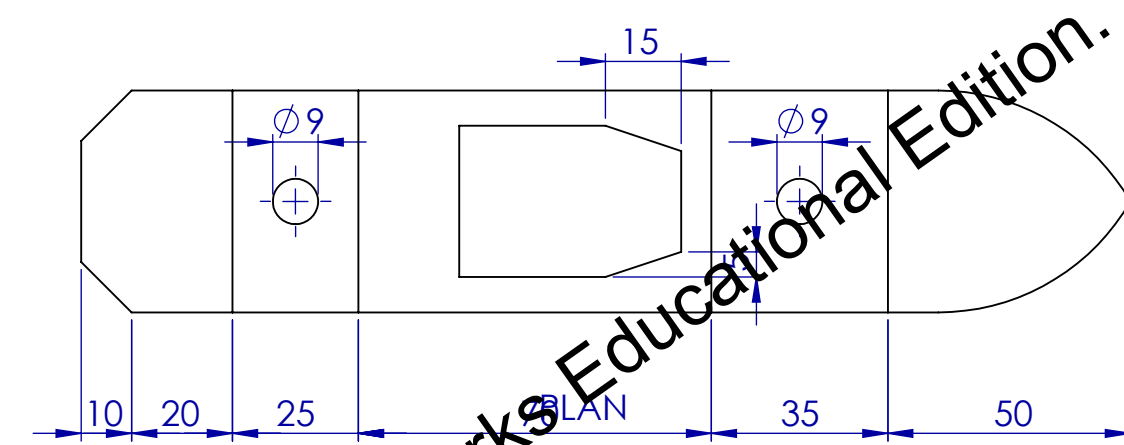
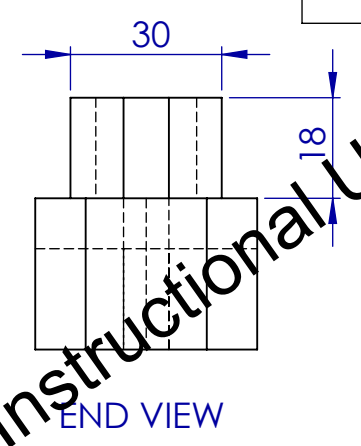
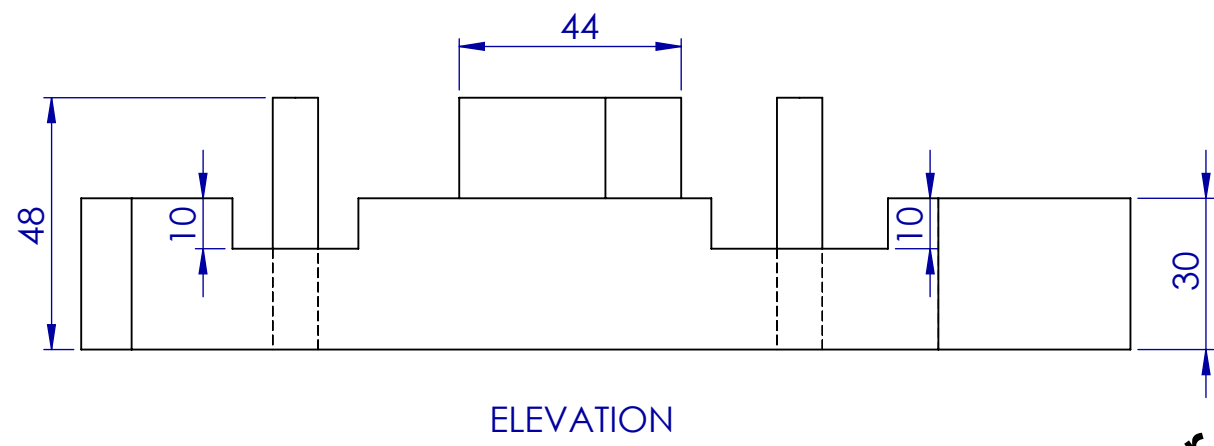
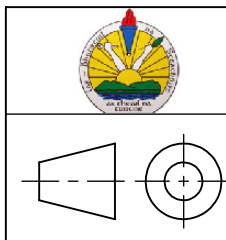


ITEM NO.	PART NUMBER	QTY.
1	BASE	1
2	WHEEL ROOM	1
3	DOWELL	2



SolidWorks Educational Edition. For Instructional Use Only.



MATERIALS TECHNOLOGY (WOOD)		
TITLE: CARGO SHIP PROJECT		
EXAM No:	SIZE A4	UNLESS OTHERWISE SPECIFIED ALL DIMENSIONS ARE IN mm
SCALE:	DATE:	SHEET No: