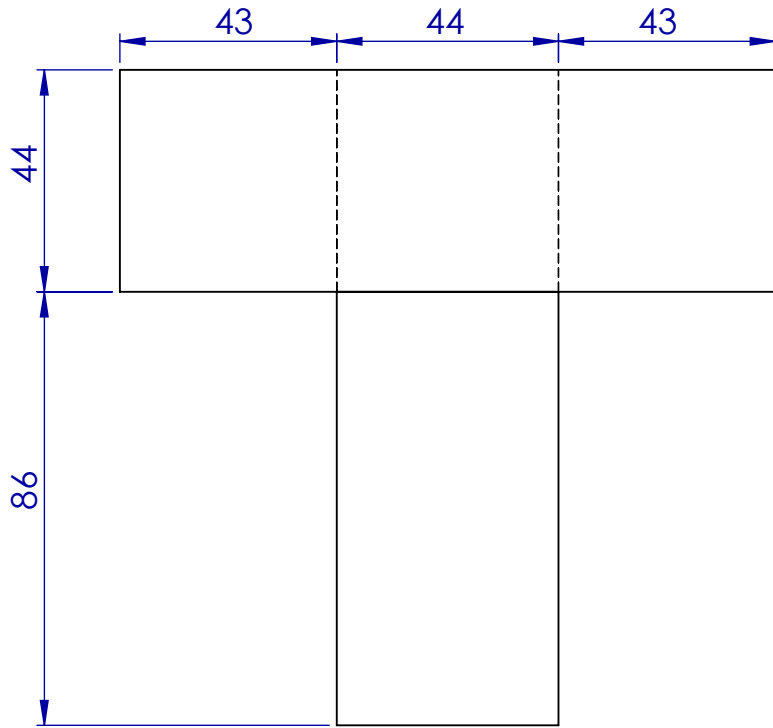
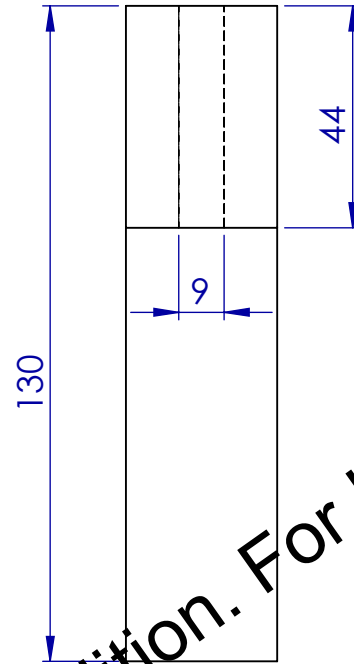


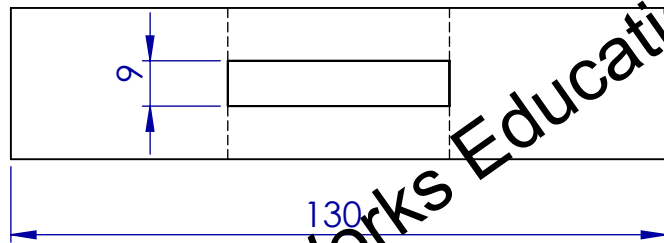
ITEM NO.	PART NUMBER	QTY.
1	Mortice	1
2	Tenon	1



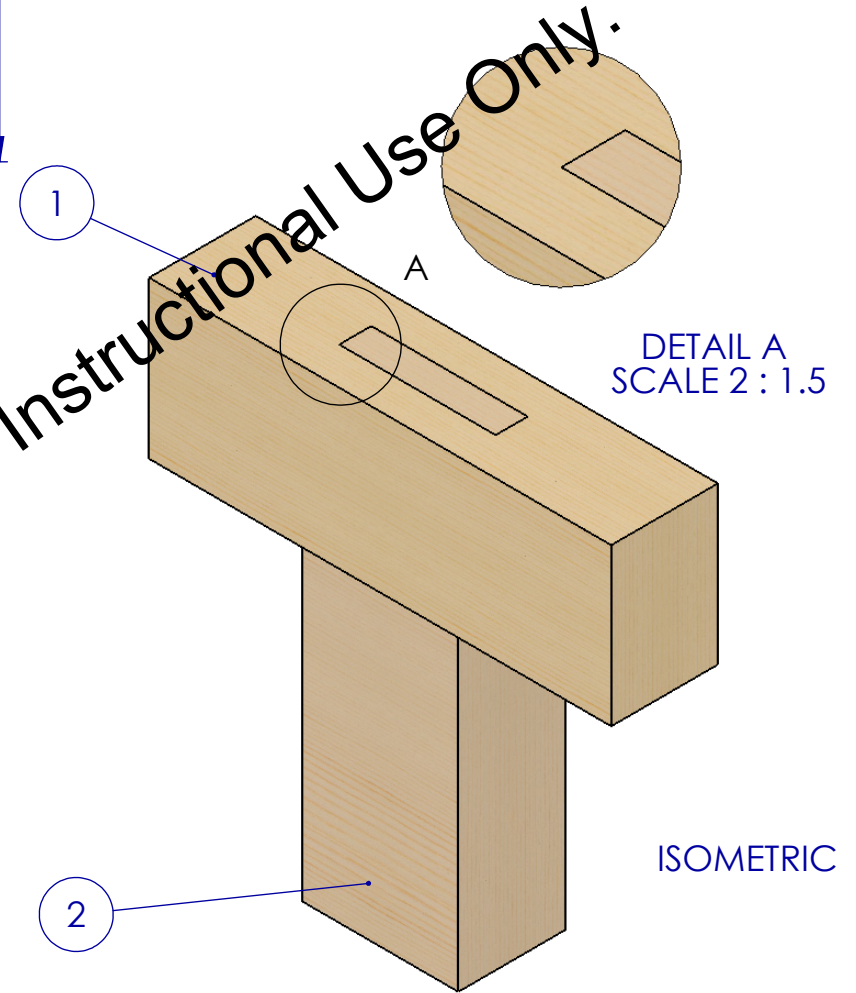
ELEVATION



END VIEW



PLAN



ISOMETRIC



MATERIALS TECHNOLOGY (WOOD)

TITLE:  
MORTICE & TENON JOINT

EXAM No:	SIZE A4	UNLESS OTHERWISE SPECIFIED ALL DIMENSIONS ARE IN mm
SCALE:	DATE:	SHEET No:

