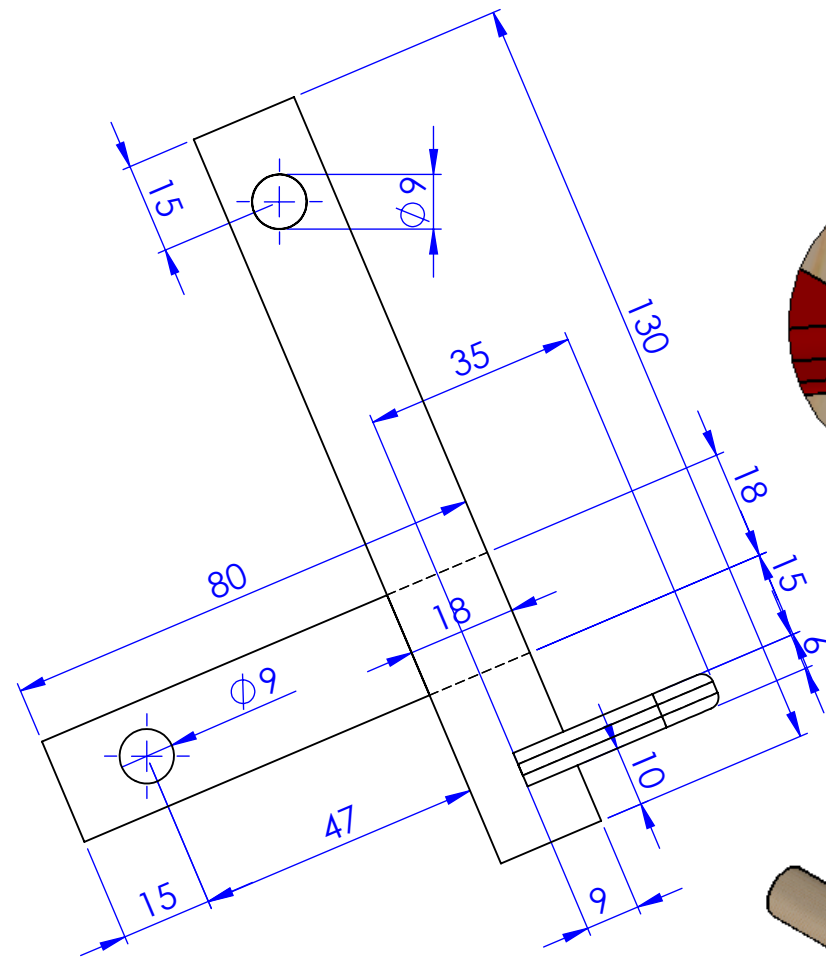
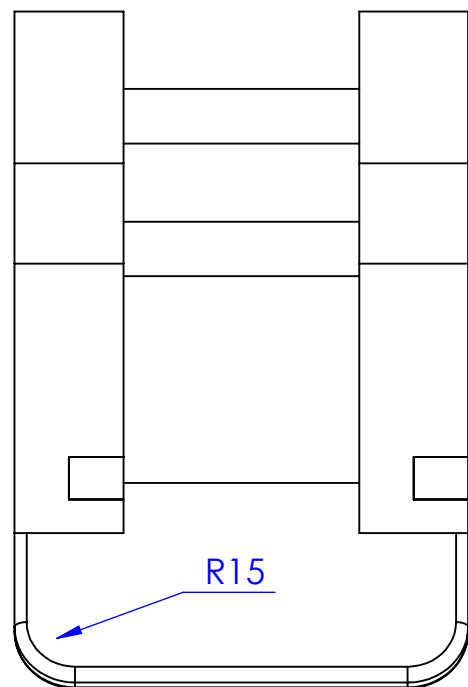


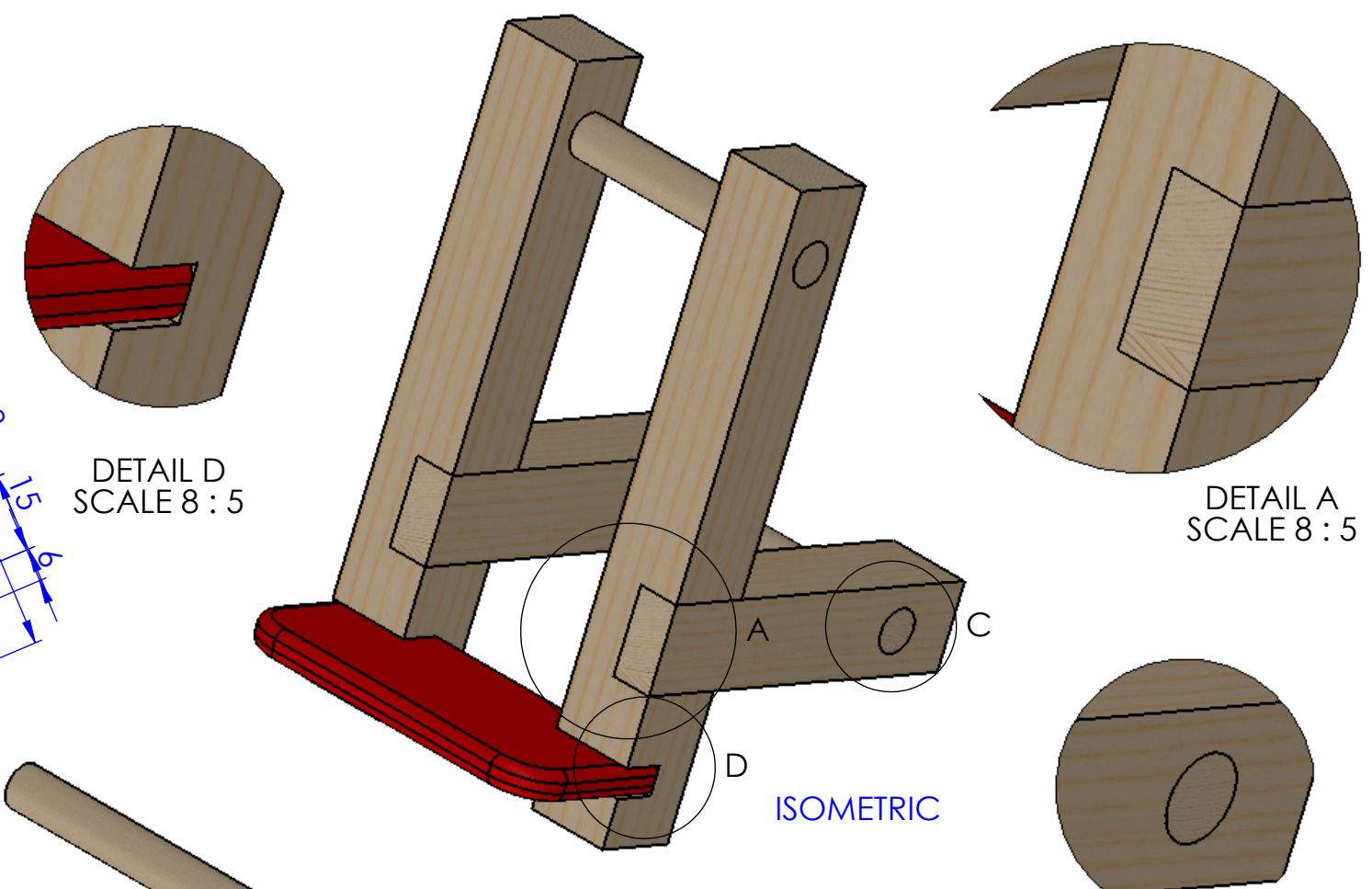
ELEVATION



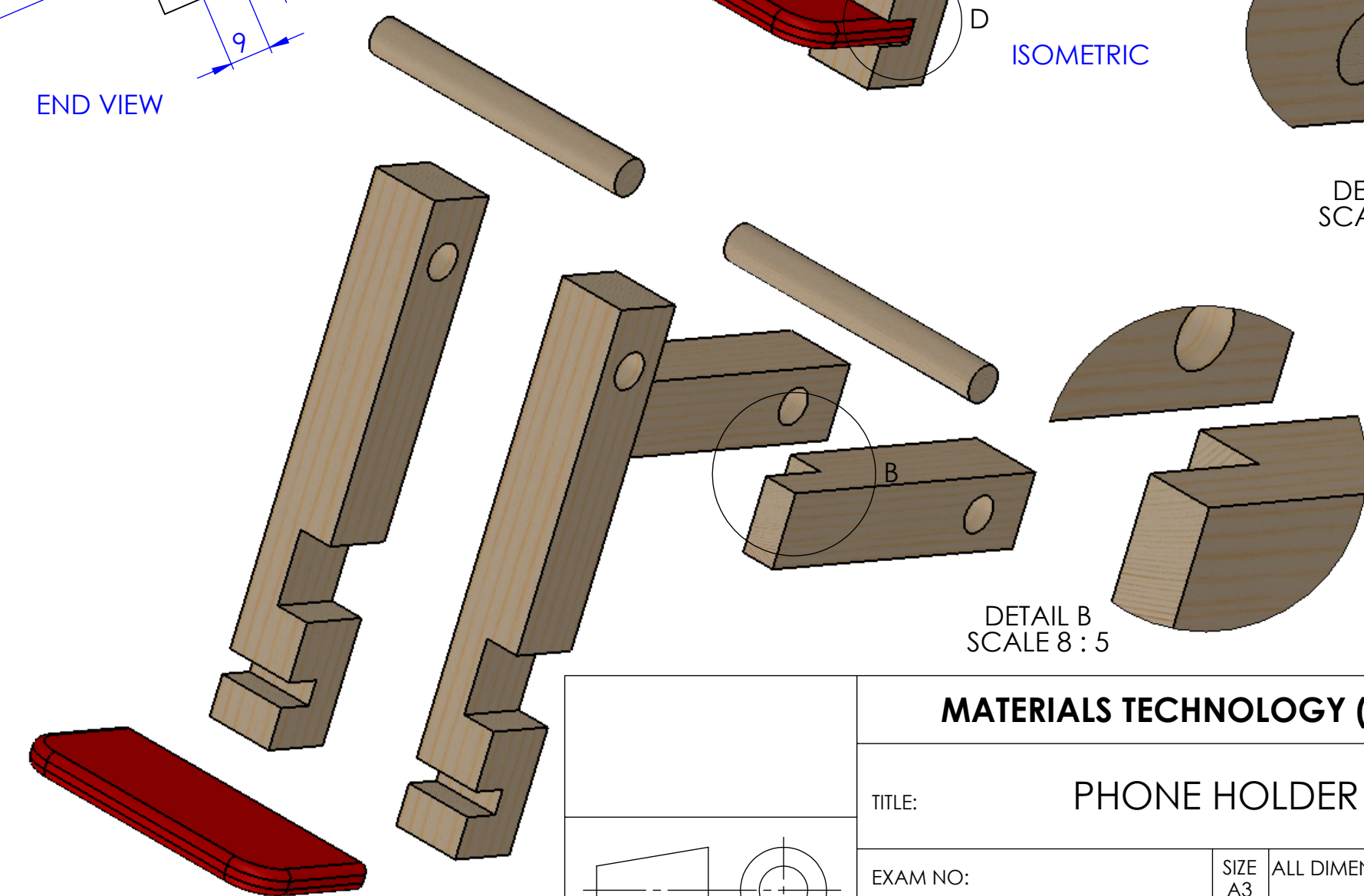
END VIEW



PLAN



ISOMETRIC



SOLIDWORKS Educational Edition.
For Instructional Use Only.

MATERIALS TECHNOLOGY (WOOD)			
TITLE: PHONE HOLDER			
EXAM NO:	SIZE A3	ALL DIMENSIONS ARE IN MM	
PART: A	OUTPUT No: 5	SHEET No: 1	

