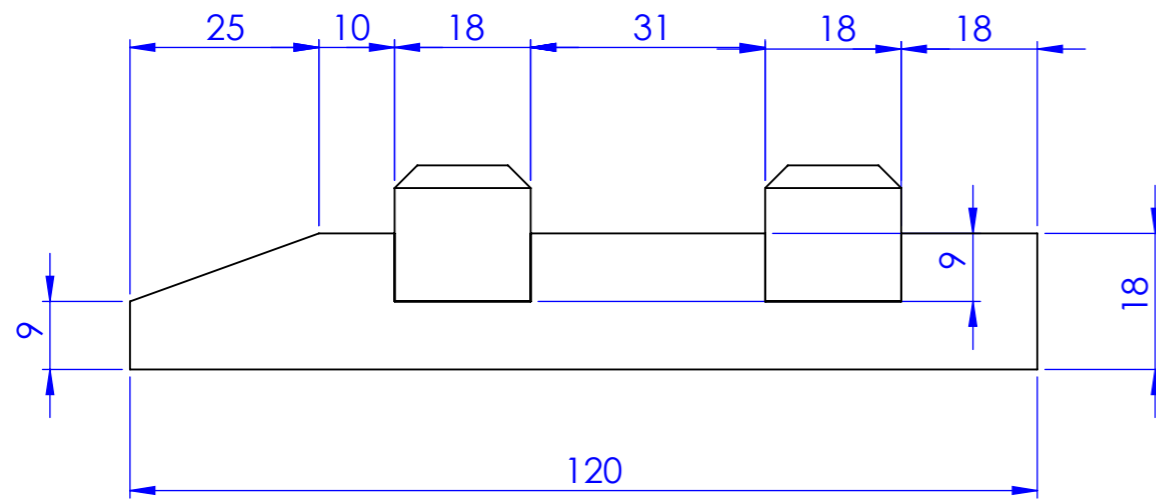
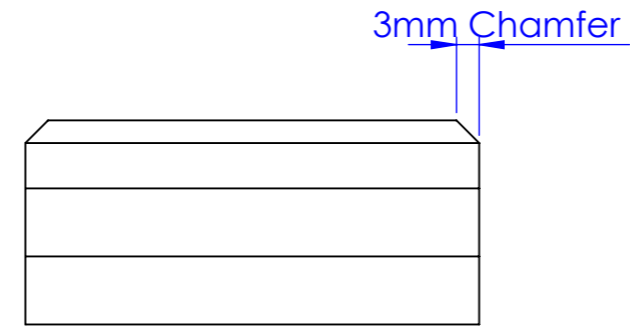


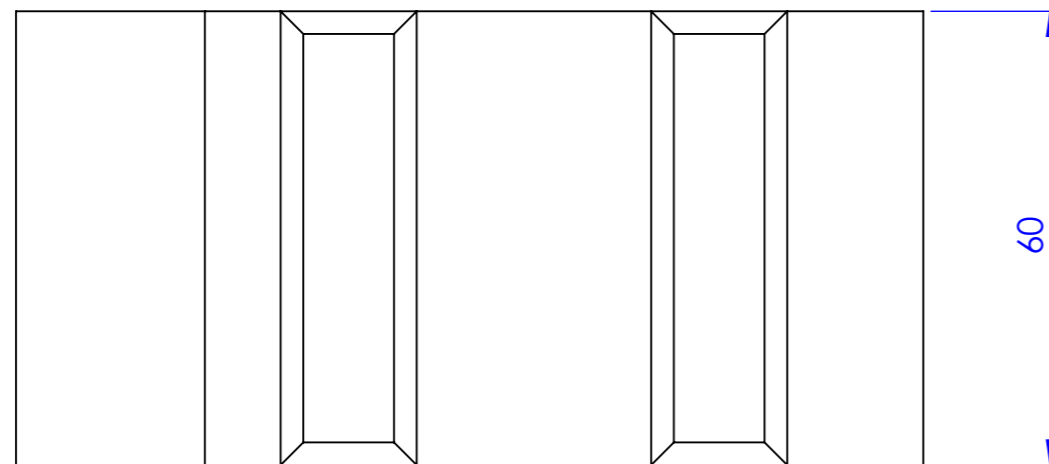
ITEM NO.	PART NUMBER	QTY.
1	Body	1
2	packer piece	2



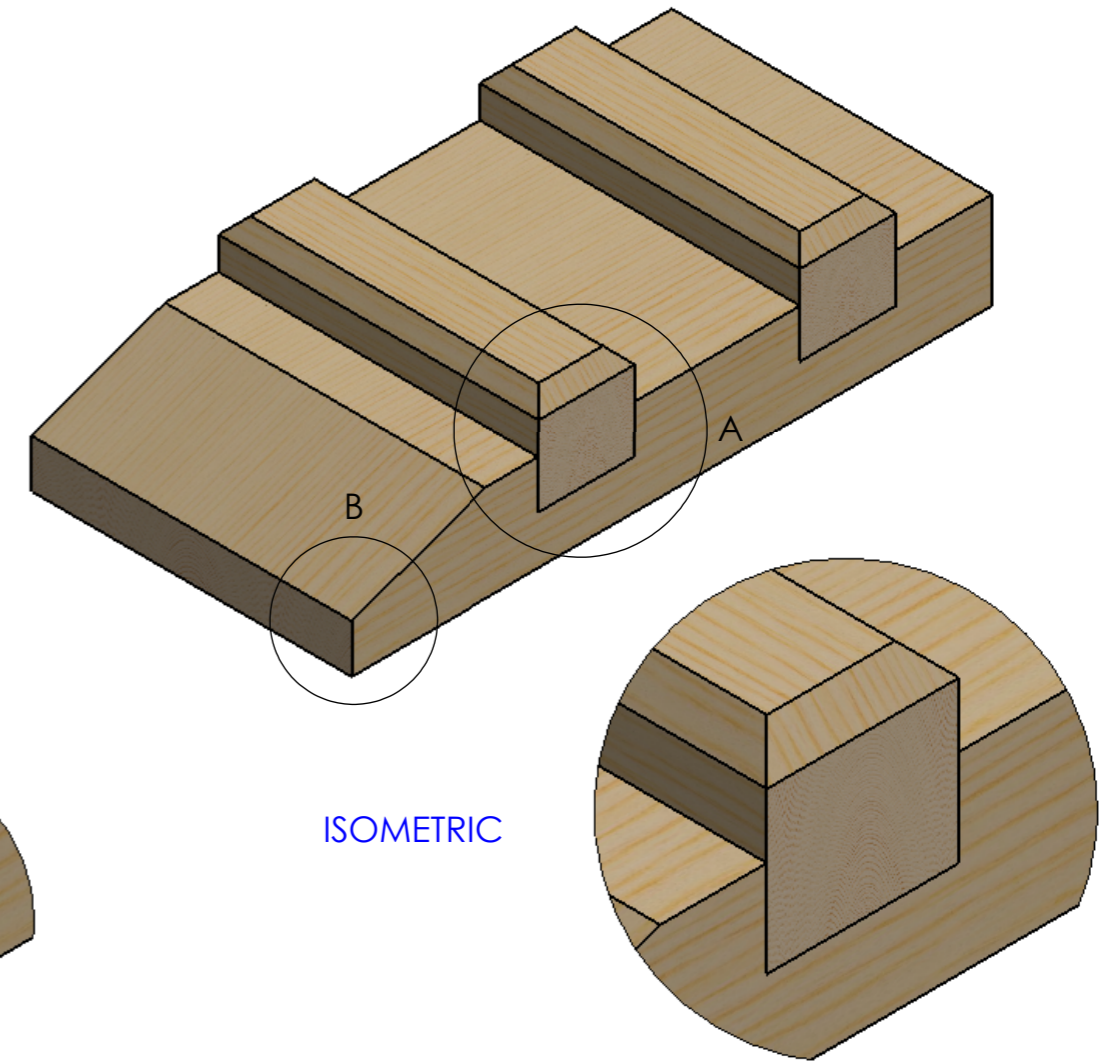
ELEVATION



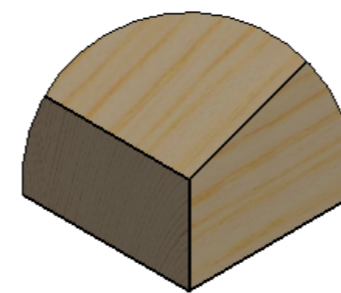
END VIEW



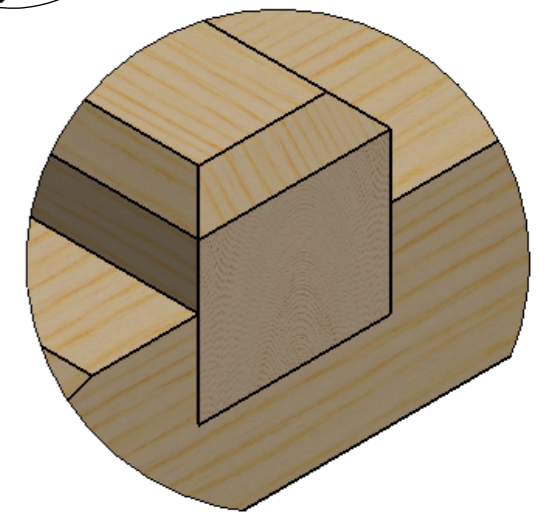
PLAN



ISOMETRIC




DETAIL B
SCALE 2 : 1



DETAIL A
SCALE 2 : 1

**SOLIDWORKS Educational Edition.
For Instructional Use Only.**

	MATERIAL TECHNOLOGY (WOOD)		
	TITLE: SANDING PAD EXERCISE		
EXAM NO:	SIZE A3	ALL DIMENSIONS ARE IN MM	
PART: A	OUTPUT No: 5	SHEET No: 1	