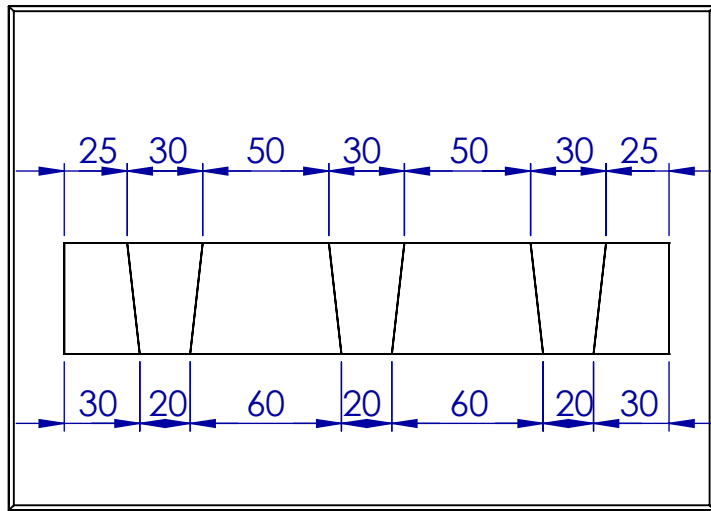
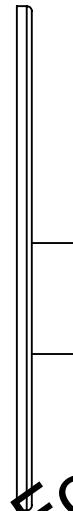


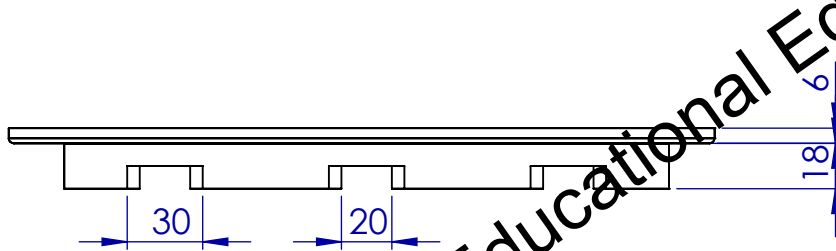
ITEM NO.	PART NUMBER	QTY.
1	Backboard	1
2	Main Body	1



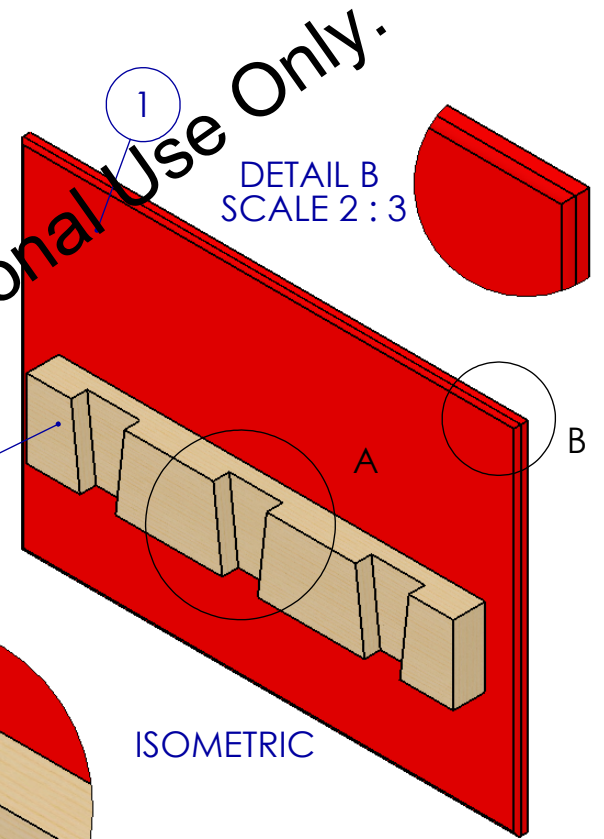
ELEVATION



END VIEW



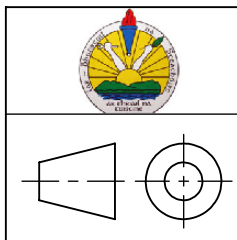
PLAN



ISOMETRIC

DETAIL A  
SCALE 2 : 3

SolidWorks Educational Edition. For Instructional Use Only.



MATERIALS TECHNOLOGY (WOOD)			
TITLE: SCISSORS HOLDER			
EXAM No:	SIZE A4	UNLESS OTHERWISE SPECIFIED ALL DIMENSIONS ARE IN mm	
SCALE:	DATE:	SHEET No:	