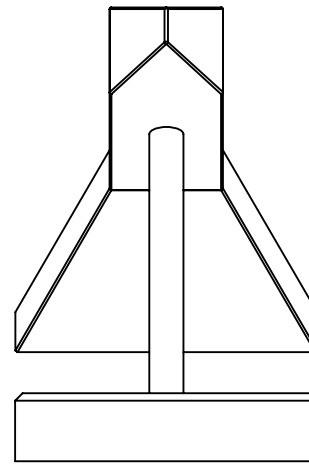
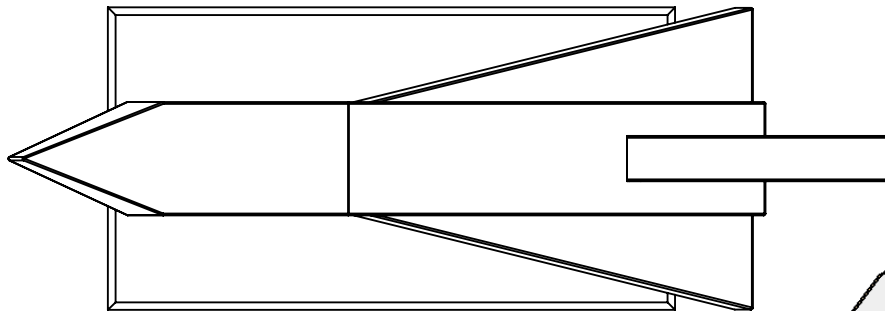


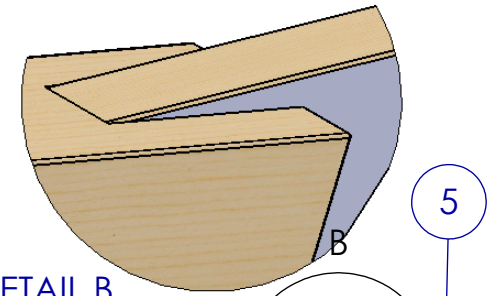
ELEVATION



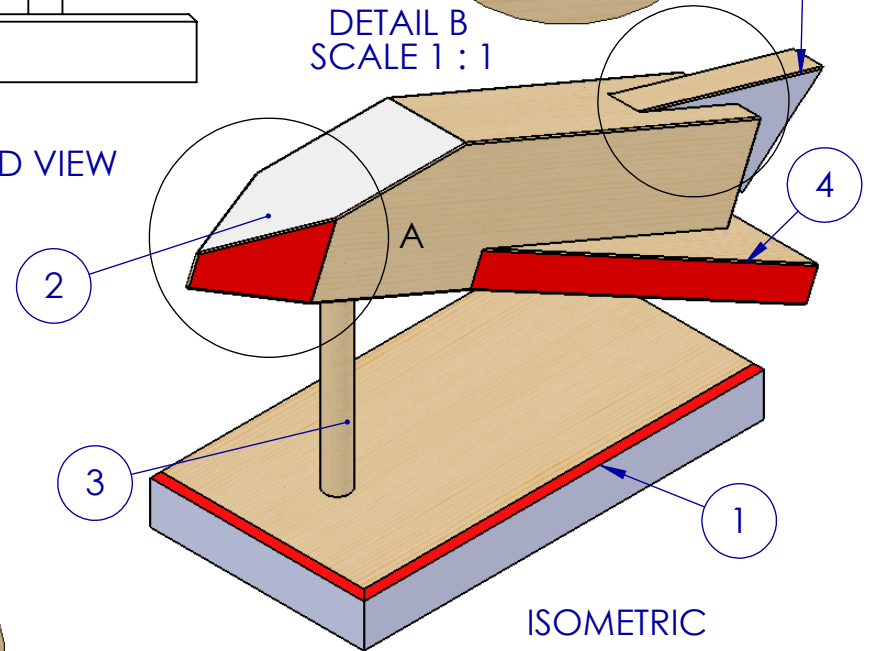
END VIEW



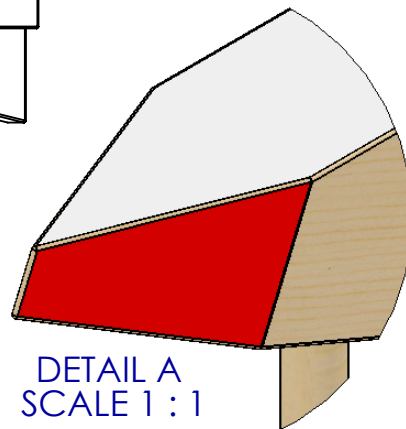
PLAN



DETAIL B  
SCALE 1 : 1




ISOMETRIC



DETAIL A  
SCALE 1 : 1

**SOLIDWORKS Educational Edition.  
For Instructional Use Only.**

	MATERIALS TECHNOLOGY (WOOD)		
	TITLE: <b>SHUTTLE ROCKET</b>		
EXAM No:	SCALE:	DATE:	SIZE A4 <small>UNLESS OTHERWISE SPECIFIED ALL DIMENSIONS ARE IN mm</small>
			SHEET No: