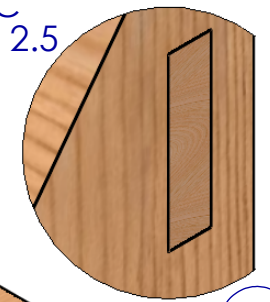
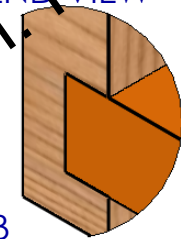


ITEM NO.	PART NUMBER	QTY.
1	BOTTOM	1
2	SIDE2	1
3	SIDE	1
4	DOWEL	1
5	BACK	1

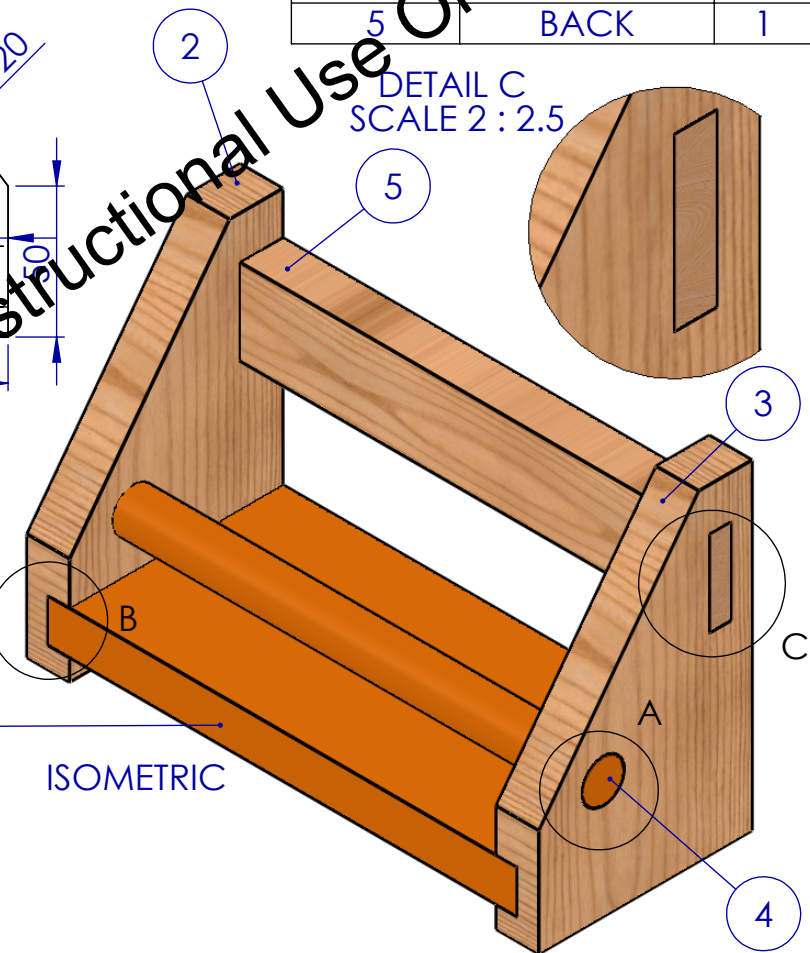
DETAIL C  
SCALE 2 : 2.5



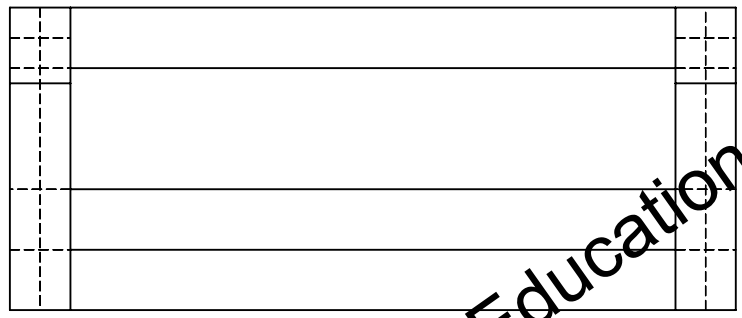
END VIEW



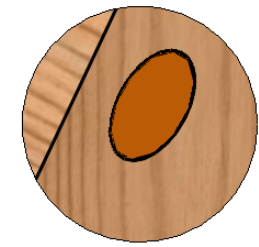
DETAIL B  
SCALE 2 : 2.5



ISOMETRIC

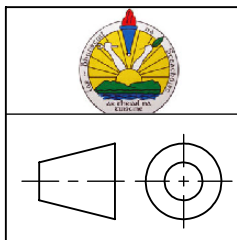


PLAN



DETAIL A  
SCALE 2 : 2.5

SolidWorks Educational Edition. For Instructional Use Only.



MATERIALS TECHNOLOGY (WOOD)		
TITLE: <b>SPICE RACK PROJECT</b>		
EXAM No:	SIZE A4	UNLESS OTHERWISE SPECIFIED ALL DIMENSIONS ARE IN mm
SCALE:	DATE:	SHEET No: