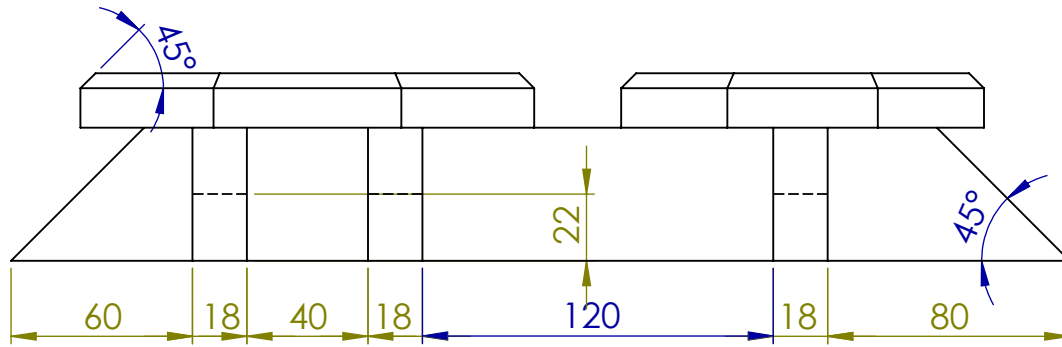
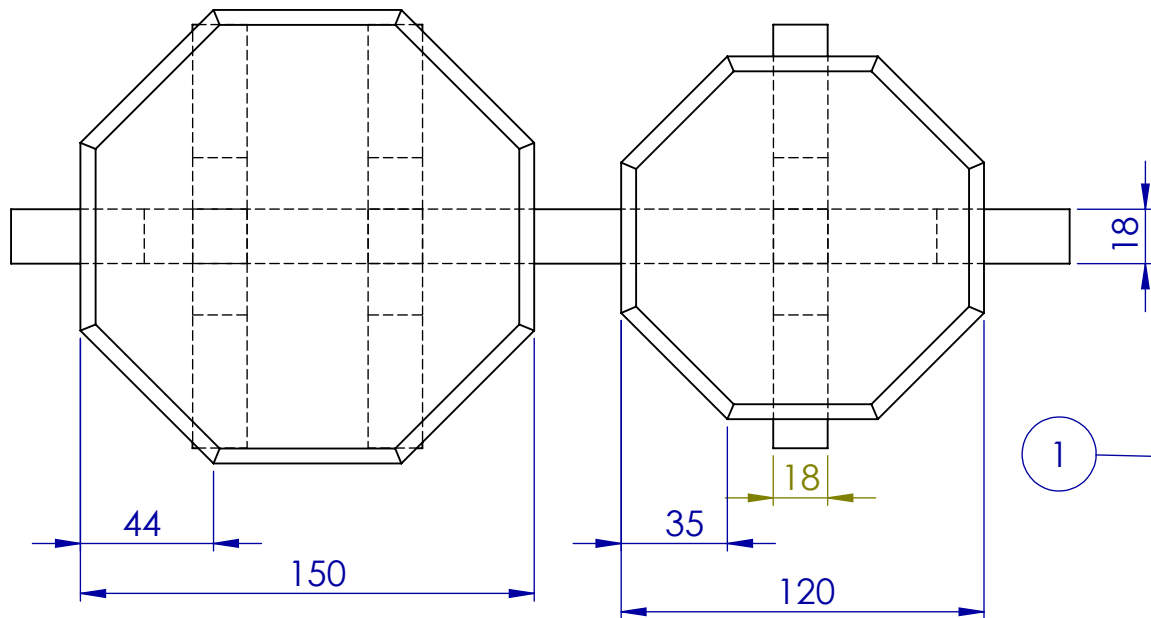
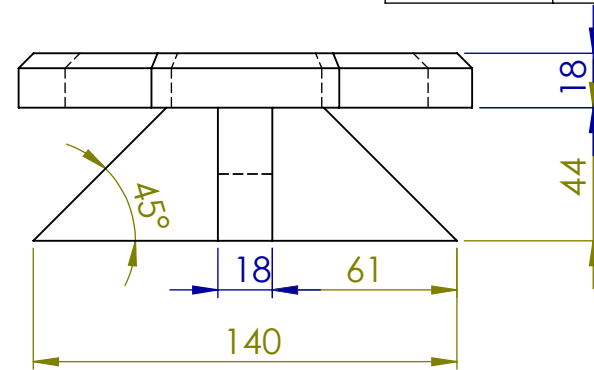


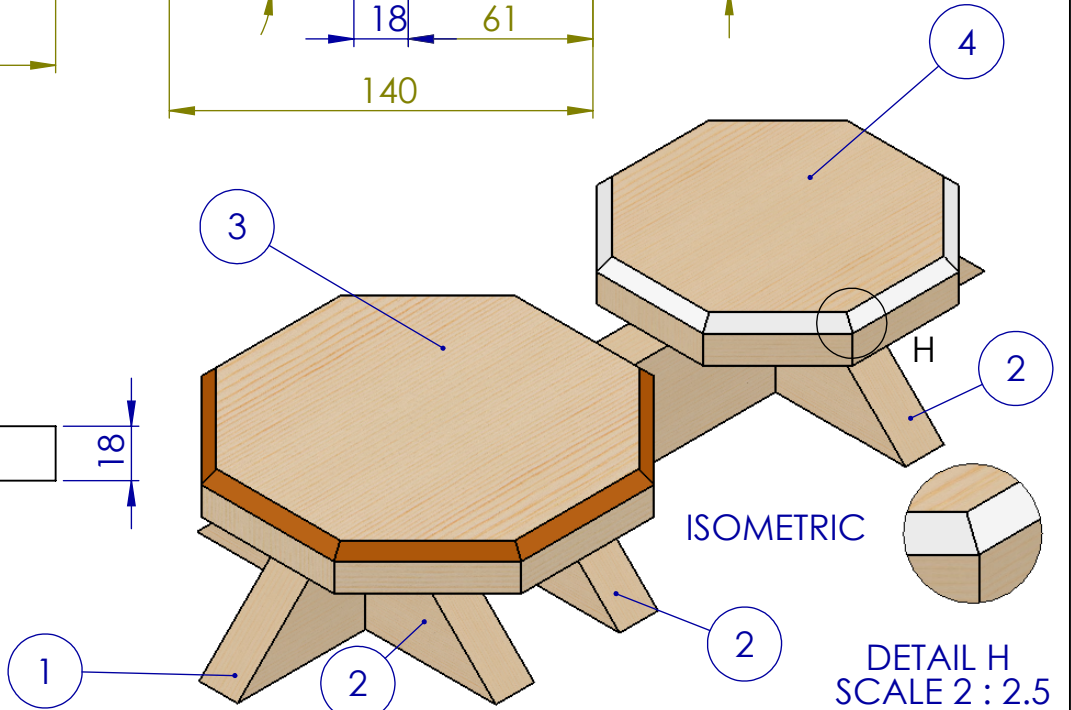
| ITEM NO. | PART NUMBER | QTY. |
|----------|-------------|------|
| 1        | Base Piece  | 1    |
| 2        | Support     | 3    |
| 3        | Large Top   | 1    |
| 4        | Small Top   | 1    |



ELEVATION



PLAN



ISOMETRIC

DETAIL H  
SCALE 2 : 2.5

**SOLIDWORKS Educational Edition.**  
**For Instructional Use Only.**

|                             |   |
|-----------------------------|---|
| MATERIALS TECHNOLOGY (WOOD) |   |
| TITLE: TEA POT PROJECT      |   |
| EXAM No:                    | SIZE A4 UNLESS OTHERWISE SPECIFIED ALL DIMENSIONS ARE IN mm |
| SCALE:                      | DATE:   |
| SHEET No:                   |   |