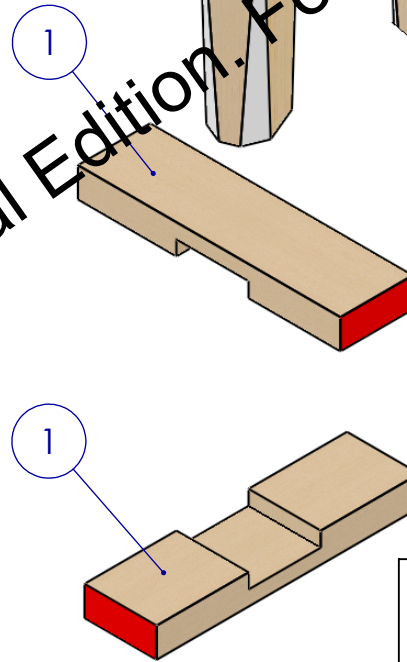
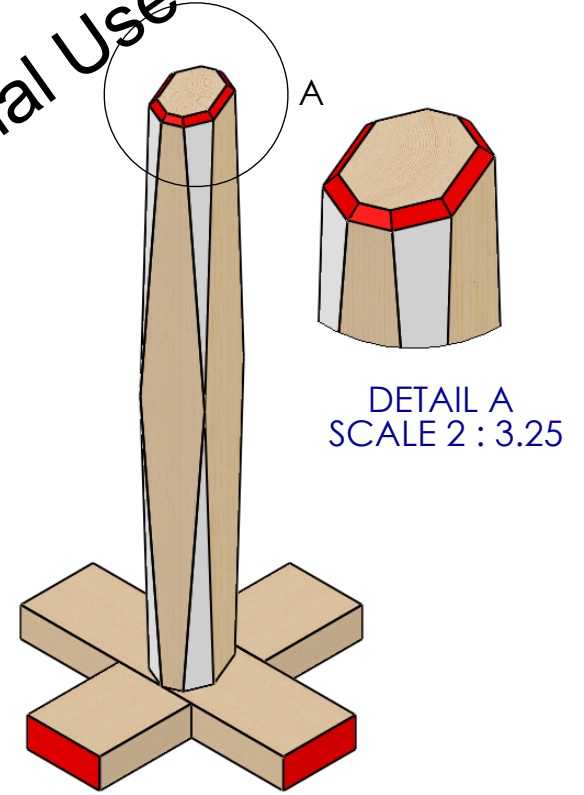
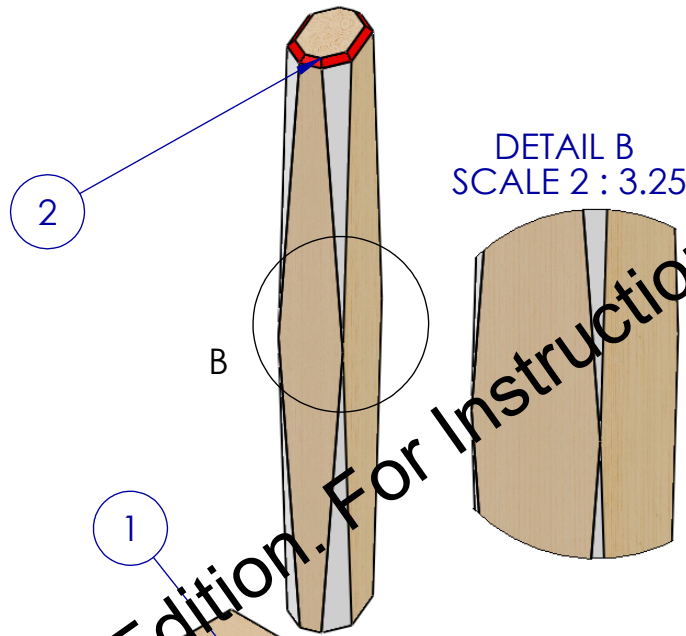
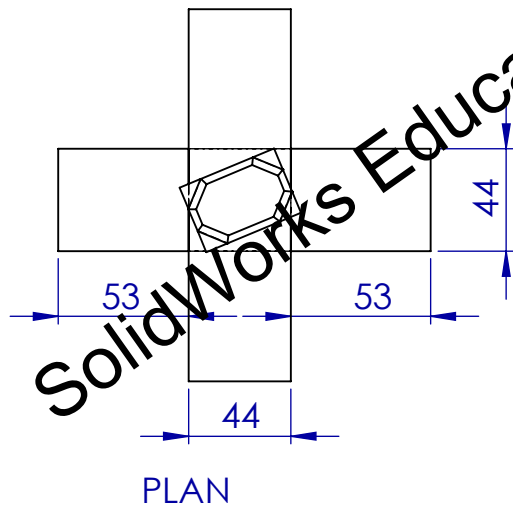
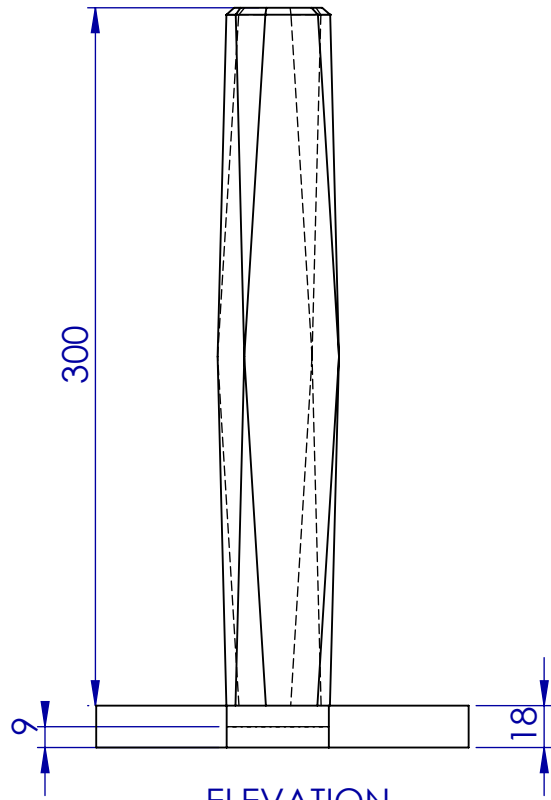
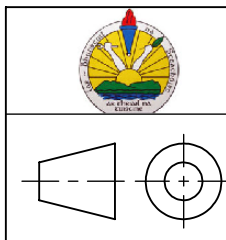


ITEM NO.	PART NUMBER	QTY.
1	legs	2
2	Upright	1



SolidWorks Educational Edition. For Instructional Use Only.



MATERIALS TECHNOLOGY (WOOD)		
TITLE: CUP HOLDER PROJECT		
EXAM No:	SIZE A4	UNLESS OTHERWISE SPECIFIED ALL DIMENSIONS ARE IN mm
SCALE:	DATE:	SHEET No: